

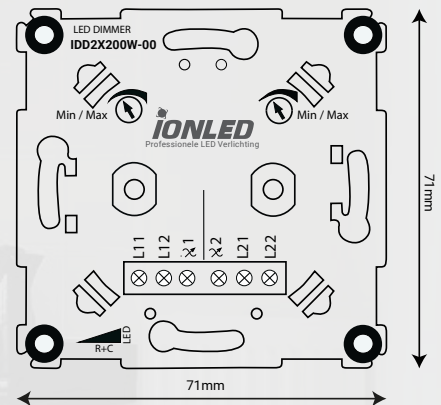
The IDD 2x200W LED Dimmer

The ION IDD 2x200W Dimmer is the first real LED Dual Dimmer with 2 outputs per dim side of each 200 Watt.

The ION Dual dimmer is most commonly used in locations where you want to turn 1 wall connection with 2 switches, 2 dimmers.

Furthermore, you can set the minimum and maximum brightness of the LED lamps per dimmer, with which you can determine your optimum light position yourself.

We regularly test new brands of LED lamps on our dimmers. We have not yet come across LED lamps / LED drivers that we could not dim with this dimmer.



Adjustable functions 2x 200Watt LED Dimmer

Min/max setting:

Our LED Dimmer can be set from 0.3 watt. This is a load that is too low for some LED lamps, causing it to flash or not to function at the lowest level. Our dimmer can be set to the lowest possible level that the lamp (s) can handle.

Anti-Flickering:

With this function you can prevent the LED lamps from flashing.

Dimmer facts:

- ✓ Silent dimming
- ✓ Adjustable minimum dimming level
- ✓ Adjustable maximum dimming level
- ✓ Short-circuit protection: Yes, self-resetting
- ✓ Overload protection: Yes, self-resetting
- ✓ Thermal protection: Yes, self-resetting

Technical details:

- ✓ Voltage: 230V +/- 10%
- ✓ Minimum load: 0,3VA
- ✓ Maximum load: 2 * 200VA
- ✓ Casing class: IP20
- ✓ Size: 71mm x 71mm
- ✓ Mounting depth: 21mm
- ✓ Powerconsumption without load: < 0,3W



More information is available at:
www.ionindustries.com/dimmers



Can be used with all brands of faceplates. Stable dimming from 1W.



Contact our sales team to find out more about our prices and features of our dimmers.



We only work with the best quality products and guarantee a perfectly functioning dimmer.